

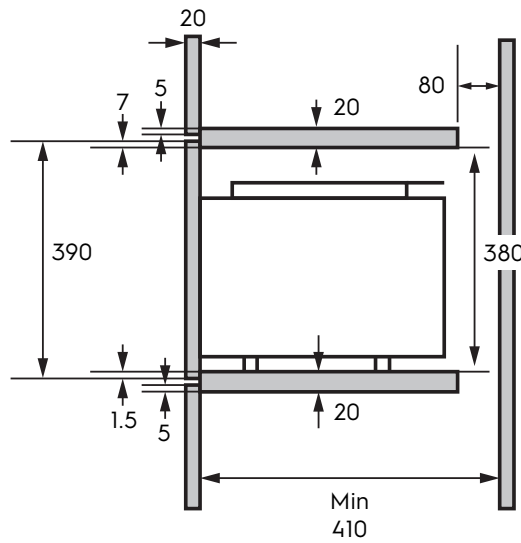
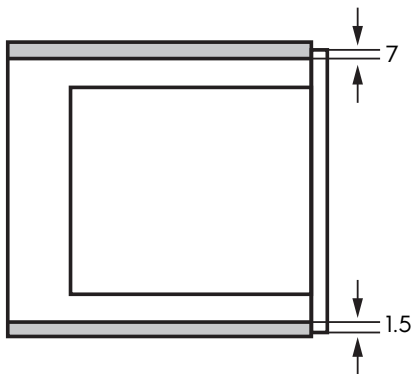
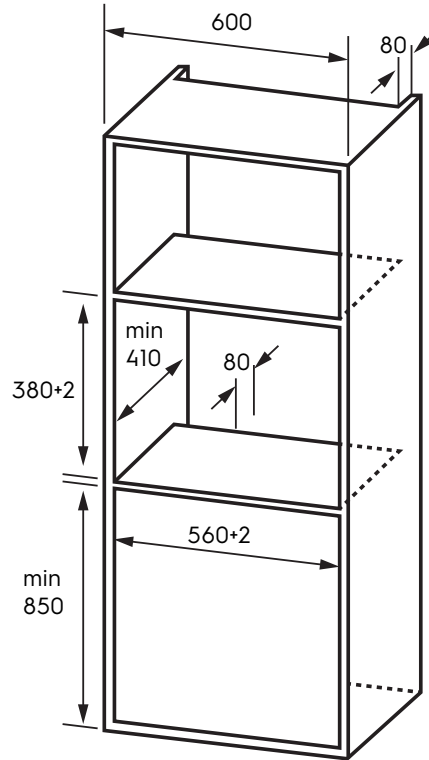
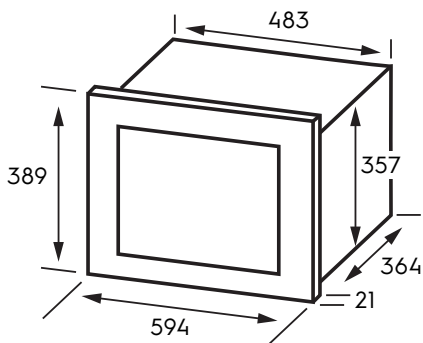
Dimension Guide

Built-in Microwave / wall

Model:
EMSB25XC

Dimensions

	width	height	depth
Product (mm)	594	389	385
Cut-out (mm)	560	380	410



Please note! Dimensions to be used as a guide only. All customers MUST refer to the user manual supplied with the product for detailed installation instructions.

© 2023 Electrolux S.E.A PTE. LTD. ELX_DIM_EMSB25XC_Apr23