

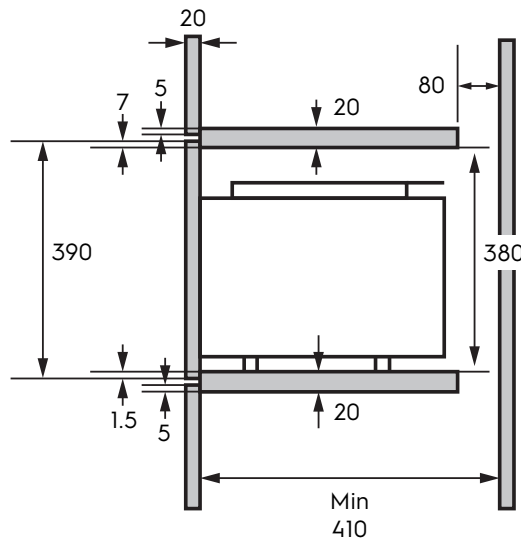
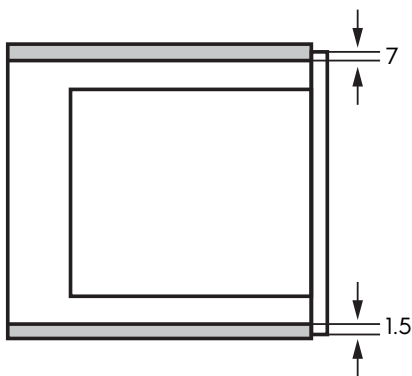
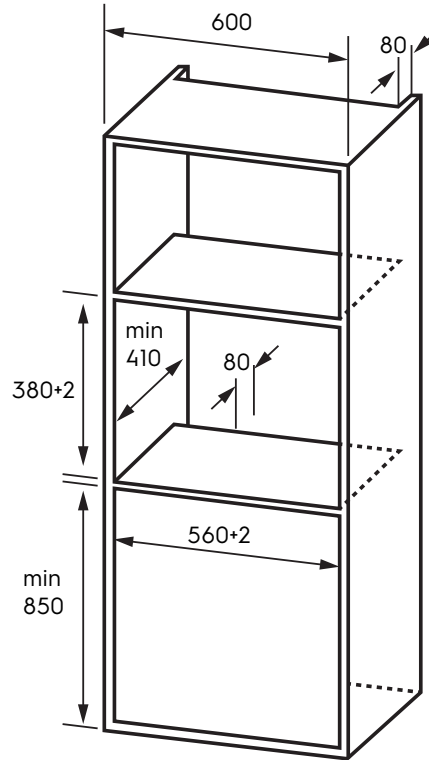
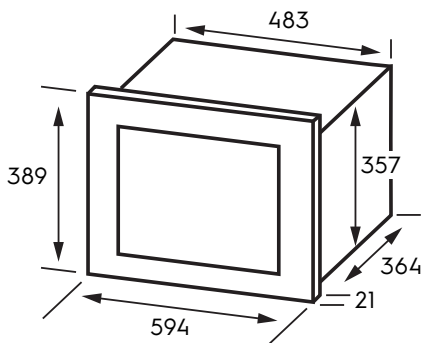
# Dimension Guide

## Built-in Microwave / wall

**Model:**  
EMSB25XG

### Dimensions

	width	height	depth
Product (mm)	594	389	385
Cut-out (mm)	560	380	410



**Please note!** Dimensions to be used as a guide only. All customers MUST refer to the user manual supplied with the product for detailed installation instructions.

© 2023 Electrolux S.E.A PTE. LTD. ELX\_DIM\_EMSB25XG\_Apr23